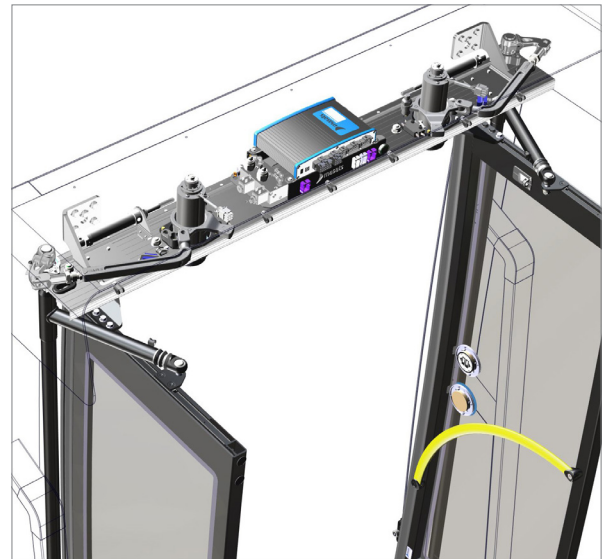
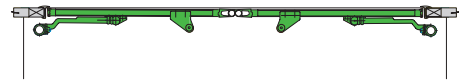


029i

INWARD SLIDING ELECTRIC DOOR

Safety, Reliability and Availability at the highest level



DESCRIPTION

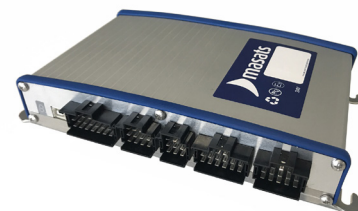
- Inward Sliding electric door.
- Reversible motor with encoder and brake.
- With self mechanical locking System.
- Excellent sealing, by continuous rubber frame.
- DM1 Pneumatic emergency module allows to reset emergency from driver dashboard.
- Emergency cancellation when vehicle is in motion.
- Vertical antivibration stabilizer.
- Electrical safety edge.
- EVOLUTION electronic DCU.

TECHNICAL DATA

- Complies with regulation UN R107
- For Class I and II vehicles.

ADVANTAGES

- High speed with smooth start+end movement.
- Anti-vandal system: impacts do not affect the motors.
- Excellent control during all the motion stroke.
- Self-mechanical locking system preventing the door from opening.
- Excellent sealing.
- Obstacle detection according to the most restrictive specifications. (anti-drag)
- High reliable components ensure low LCC.
- Electronic with higher level of self-diagnosis.



029i

INWARD SLIDING ELECTRIC DOOR

Safety, Reliability and
Availability at the highest level

TECHNICAL DATA

- Standard service conditions: 27,5 Vdc, 8bar, flat surface.
 1. Operating pressure = 4 - 10 bar
 2. Working voltage = 18 - 32 vdc
 3. Voltage range without damage: 0 - 48 vdc
 4. Temperatures
 - Working = -30 / +70°C
 - Storage temperature = -40 / +85°C
- Portal
 - Width = 1.250 - 1450mm
 - Height = 2.200mm

Tolerancias:
Ancho +/- 2mm
Altura +/- 5mm
Diagonal dimensions +/- 12mm
- Cycles = 1,5 M
- Maneuver time < 2s
- Reversible motor, with encoder and motor brake.
- Operating slope:
 - Front= ±21%
 - Side= ±10%

Normative:

- Electromagnetic Compatibility acc. to R10
- Burning behaviour according to R118.03
- Watertightness according to EN14752 railway entrance norm.
- According to Regulation 43 - safety glazing.
- Software designed according to ISO 26262
- Environmental requirements acc. To: UNE EN 60068-2