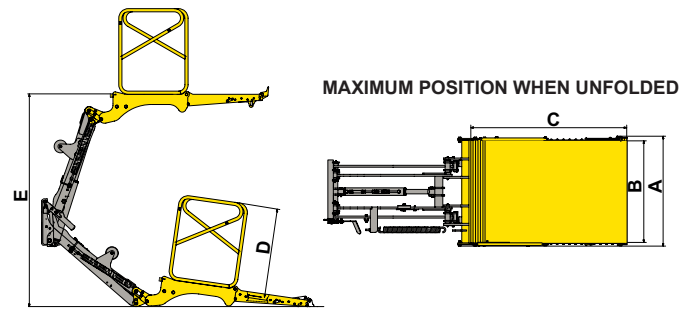


KV5

LIFT



	32855E24	32855F24
A Total width of the platform	866 mm	866 mm
B Net width of the platform	800 mm	800 mm
C Net length of the platform	1230 mm	1230 mm
D Net height of the railings	702 mm	702 mm
E Maximum lift height	1694 mm	1842 mm



DESCRIPTION

- Vertical hydraulic lift for coaches, with maximum space efficiency.
- Version 1600-B / 1800-B
- Maximum lift height: 1676 / 1823 (mm)
- Total weight: 180Kg / 184Kg
- Maximum load: 350Kg
- Power supply: 24v / 50A (max.)
- Intended for class II and III vehicles.
- According Reglament 107.
- Double effect cylinder

ADVANTATGES

- Easy operation by means of as control.
- Installed behind rear axis.
- Easy operation in manual mode in case of power supply loss.
- Easy installation.
- High load capacity.
- Simple and robust.
- Easy platform folding and stowing.
- Same speed when laden or empty.