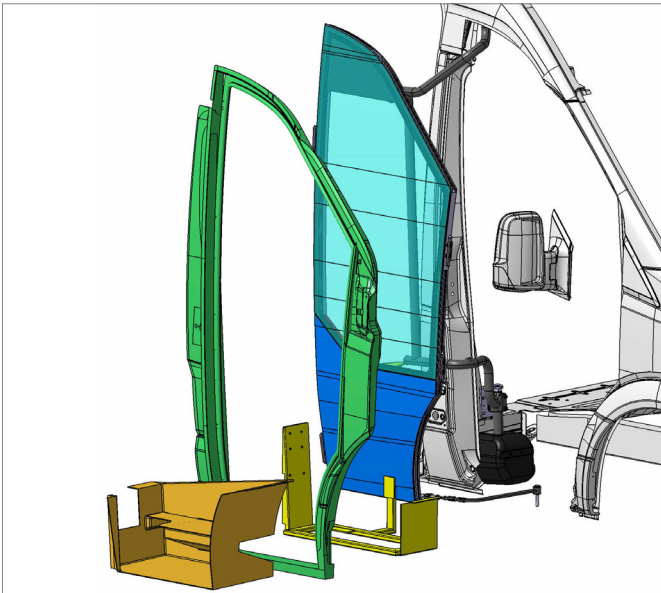
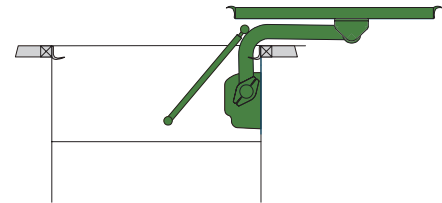
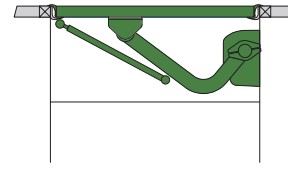


014

SPRINTER DOOR ELECTRIC Mechanical emergency



DESCRIPTION

- Kit to replace original Sprinter door.
- Electric outside opening actuator with lifting movement.
- Optional: the system enables centralized door control integration, by remote control or key. When the doors is closed using the control or key, the system applies electromechanical locking of the emergency handle, so that the vehicle cannot be opened from the outside.
- When the vehicle is opened again, the mechanical lock is deactivated and the door can be opened normally.
- Emergency handle inside always enables unlocking and opening of the door.
- Sensitivity by microswitches and electronically.
- Kit includes:
 - Electric equipment with electronic control.
 - Aluminium door with rubber sealing.
 - Fiberglass component to fit in the original door shape.
 - Step structure.
 - Fiberglass part for the steps.

ADVANTAGES

- The single rod electrical equipment allows for an extra seat in the vehicle since it does not interfere with the rotation rod.
- Safety wedges for best safety.
- Rubber seals all-around the door.
- Easy installation kit.

TECHNICAL DATA

- Working temperature: -30 +70
- Nominal voltage: 12v +-20
- Complies with regulation UN R107
- For class B vehicles.