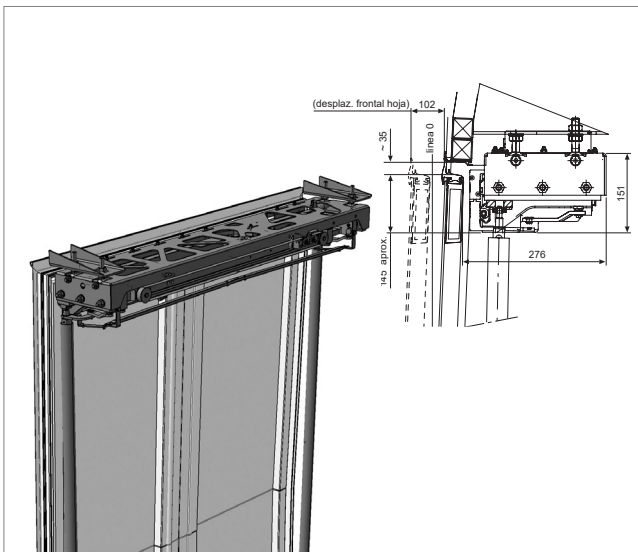
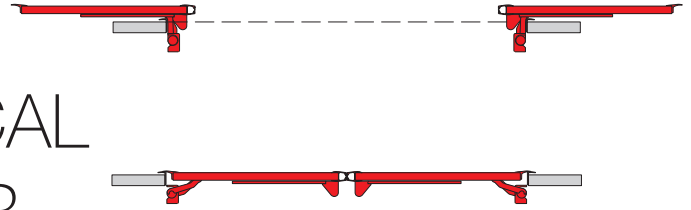


028a

COMPACT ELECTRICAL SLIDING PLUG DOOR



DESCRIPTION

- Rapid electrical sliding door.
- For double leaf doors.
- 12v electrical mechanism version.
- Mechanical emergency as standard.
- Push button emergency system.
- Dual sensitisation; by electronic control and electrical sensitive rubber seal.
- Emergency override at vehicle speed > 3 km/h.

TECHNICAL DATA

- Minimum pressure: 6 bar.
- Working temperature: $-30\text{ }^{\circ}\text{C}$ to $+70\text{ }^{\circ}\text{C}$
- Nominal voltage: $12\text{v} \pm 20\%$
- Outward displacement: 90 mm.
- Doorway width: 1350 mm.
- Net opening: 1200 mm.
- Complies with regulation UN R107.
- For Class A vehicles.

ADVANTAGES

- Easy to install and adjust.
- Very compact mechanism suitable for minibus type installation, where there is limited space at the top.
- Protected side bars do not rotate, so providing greater passenger safety.
- Electronics adjustable to client requirements. Masats' configurable / programmable electronics.
- Designed to be installed optionally with the Masats CAN MCP system.
- Height and curvature adapted to the vehicle.